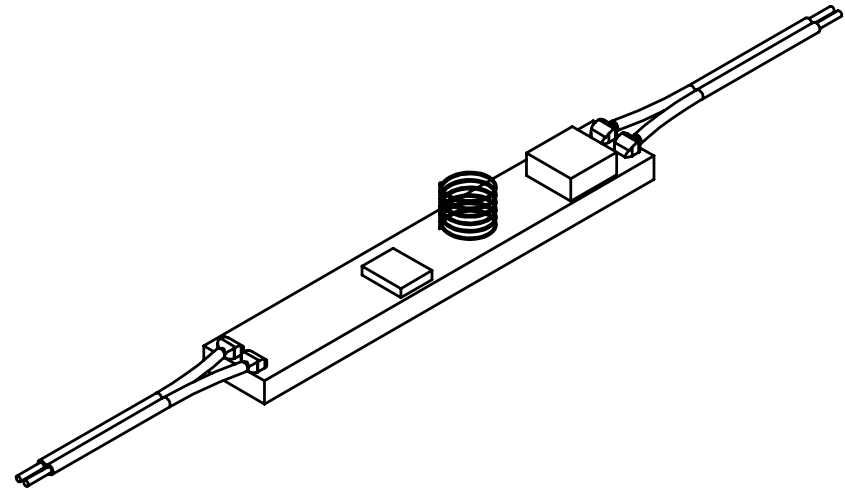


# Radium

IN-PROFILE TOUCH&DIM SENSOR 72W/12-24V



**Radium Lampenwerk GmbH**

Dr.-Eugen-Kersting-Straße 6  
51688 Wipperfürth  
GERMANY

[www.radium.de](http://www.radium.de)

V2010

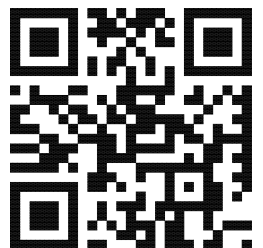


**Radium Lampenwerk GmbH**

Dr.-Eugen-Kersting-Straße 6  
51688 Wipperfürth  
GERMANY

[www.radium.de](http://www.radium.de)

V2010



# Features

- 1 channel constant voltage single color LED mini dimmer to operate in aluminum profiles.
- High sensitivity touch operation with LED indicator.
- 3A per channel, max. output power 72W at 24V.
- 0-100% dimming smoothly without any flash.
- The material on the touch spring can be PC cover, acrylic board or mirror glass.
- 3M tape in the bottom of the PCB to ensure easy installation and security.
- Designed to work with Radium LED-Strips and profiles

# Technical Parameters

### Input and Output

Input voltage	12-24VDC
Output voltage	12-24VDC
Output power	Max. 36W @ 12V Max. 72W @ 24V
Standby power	< 0,5W

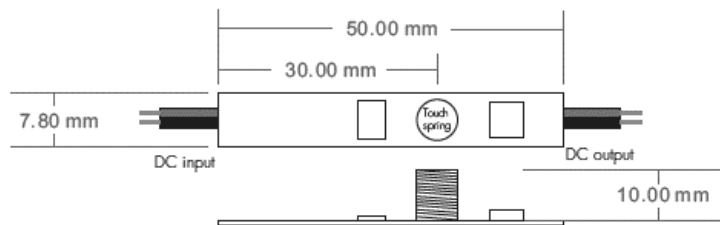
### Dimming data

Dimming range	0-100%
PWM Frequency	128Hz

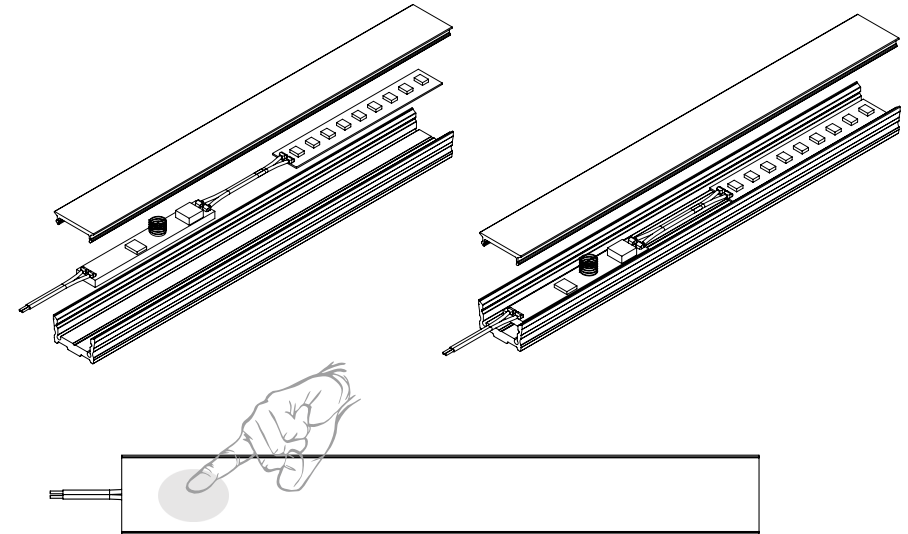
### Environment

Operation temperature	Ta: -30°C ~ +55°C
-----------------------	-------------------

⚠ Do not mount on flameable surfaces.



# Installation



# Recommended Profiles

Aluminum Profiles	Article no.
PROFILE SMALL U	TRPA2501
PROFILE SMALL U FLAT	TRPA2511
PROFILE SMALL WING	TRPA2521
PROFILE SMALL CORNER	TRPA2531
PROFILE MEDIUM U FLAT	TRPA2551

