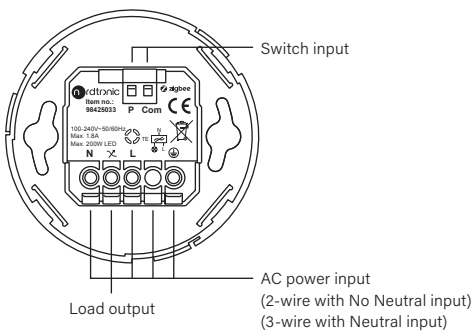
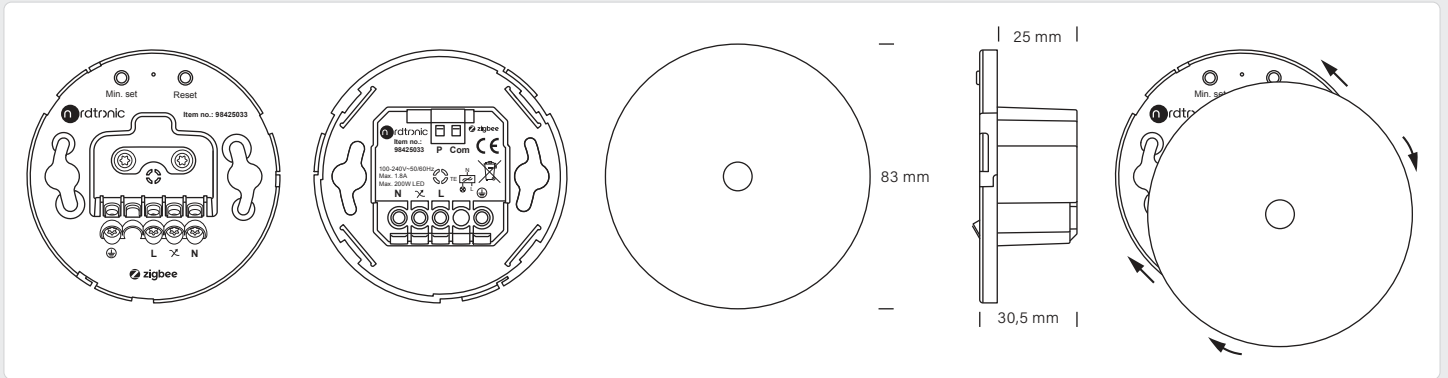
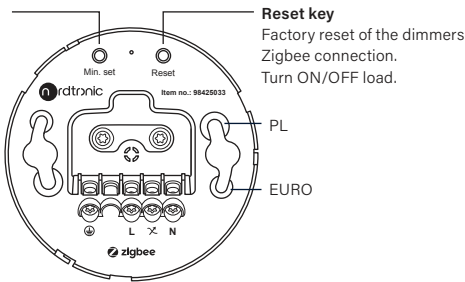


Ceiling outlet Dimmer Zigbee



Min. Set Button
 1) Set minimum brightness
 2) Set startup brightness



Reset key
 Factory reset of the dimmers
 Zigbee connection.
 Turn ON/OFF load.

Input voltage	Output voltage	Output Current
100-240VAC	100-240VAC	max. 1.8A

Load symbol	Load type	Maximum load	Remarks
	Dimmable LED lamps	200W @ 230V 100W @ 110V	Due to variety of LED lamp designs, maximum number of LED lamps is further dependent on power factor result when connected to dimmer
	Dimmable LED drivers	200W @ 230V 100W @ 110V	Maximum permitted number of drivers is 200W divided by driver nameplate power rating

DO NOT install with power applied to device
DO NOT expose the device to moisture



Find the updated manual on our website – nordtronic.com
 With reservation for typing errors

Wiring Diagram

Notes for the diagrams

- L** terminal for live lead
- N** terminal for neutral lead
- X** output terminal of the dimmer (controlling connected light source)
- P** terminal for switch
- COM** terminal for low voltage to the switch connected to the dimmer

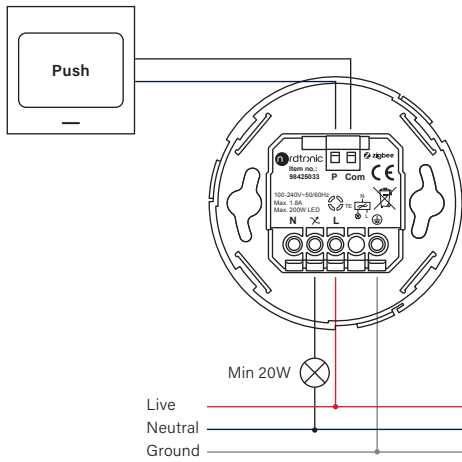
Supported switch type

The switch type this device supports can be configured by factory setting.

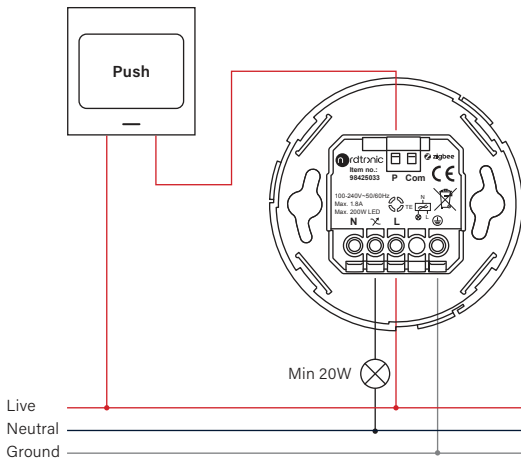
1. Push switch (factory default setting).

Method 1: 2-Wire connection with no neutral lead

With push LV

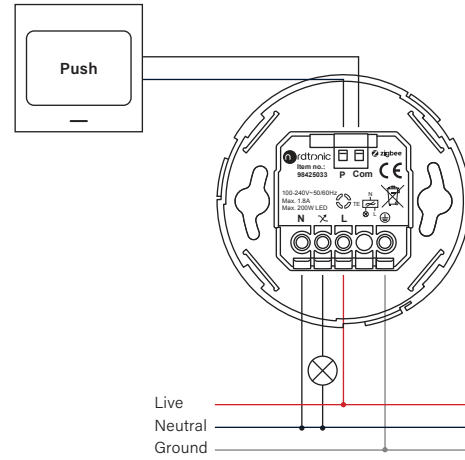


With push

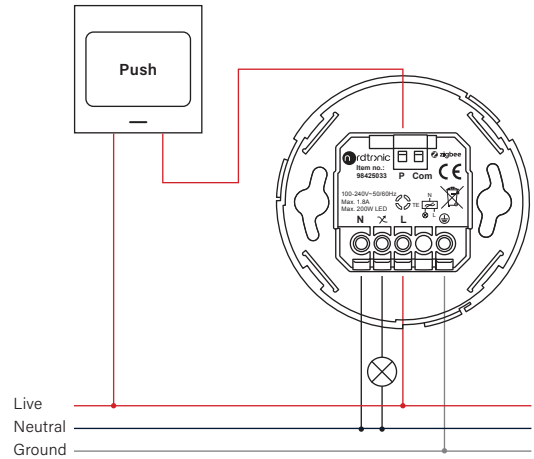


Method 2: 3-Wire connection with neutral lead

With push LV



With push



Note

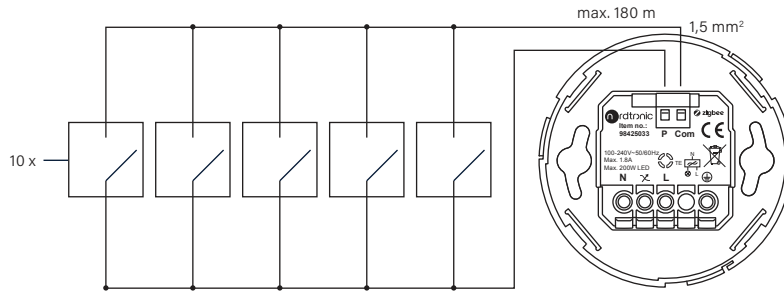
Switch connected to the P terminal activates the basic functionality of the dimmer (turning the light on/off, dimming).



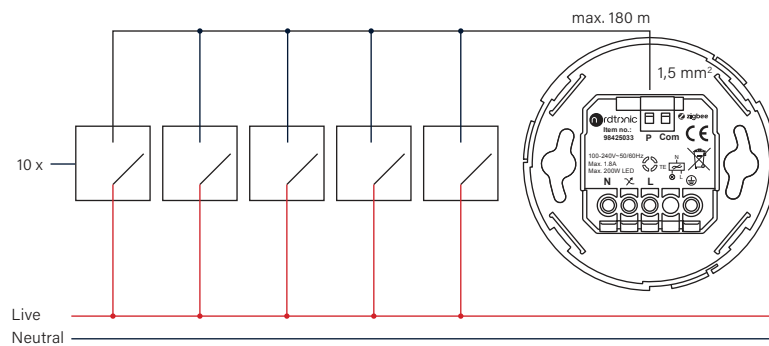
Find the updated manual on our website – nordtronic.com
With reservation for typing errors

Multiple momentary or push switches connection

With push LV



With push



1. Zigbee network pairing through Coordinator or Hub (Added to a Zigbee network)

Step 1: From your Zigbee Controller or hub interface, choose to add lighting device and enter Pairing mode as instructed by the controller.

Step 2: Short press the **Reset** button 5 times to set it into network pairing mode. Pairing mode will last until the device is added to a network.

Step 3: Connected light will blink 5 times and then stay solid on, then the device will appear in your controller's menu and can be controlled through controller or hub interface.

2. Zigbee factory reset manually

Step 1: Short press **Reset** key for 5 times continuously.

Step 2: Connected light will blink 3 times to indicate successful reset.

Note:

- 1) If the device is already at factory default setting, there is no indication when factory reset again.
- 2) All configuration parameters will be reset after the device is reset or removed from the network.

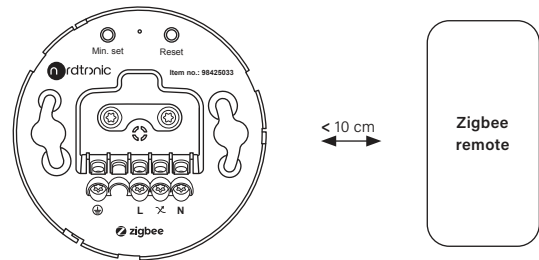
3. Touchlink to a Zigbee remote

Step 1: Short press **Reset** button 4 times to start Touchlink commissioning immediately, 180 sec. timeout, repeat the operation.

Step 2: Bring the remote or touch panel within 10 cm of the lighting device.

Step 3: Set the remote or touch panel into Touchlink commissioning, please refer to corresponding remote or touch panel manual to learn how.

Step 4: There shall be indication on the remote for successful link and connected light will flash twice.



Note:

- 1) Directly Touchlink (both not added to a Zigbee network), each device can link with 1 remote.
- 2) Touchlink after both added to a Zigbee network, each device can link with max. 30 remotes.
- 3) To control by both gateway and remote, add remote and device to network first then Touchlink.
- 4) After Touchlink, the device can be controlled by the linked remotes.



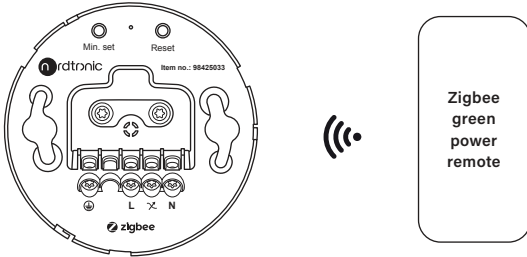
Find the updated manual on our website – nordtronic.com
With reservation for typing errors

4. Learning to a Zigbee green power remote

Step 1: Short press **Reset** button 4 times to start Learning mode (connected light flashes twice), 180 sec. timeout, repeat the operation.

Step 2: Set the green power remote into Learning mode, please refer to its manual.

Step 3: Connected light will flash twice to indicate successful learning. Then the remote can control the device.



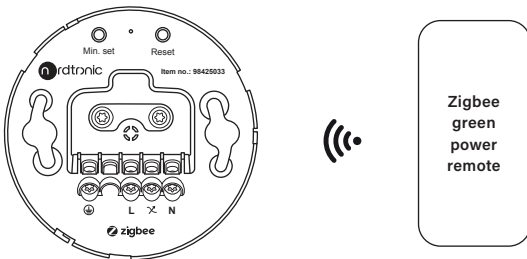
Note: Each device can learn to max. 20 Zigbee green power remotes.

5. Delete Learning to a Zigbee green power remote

Step 1: Short press **Reset** button 3 times to start delete Learning mode (connected light flashes slowly), 180 sec. timeout, repeat the operation.

Step 2: Set the paired Green Power Remote into Learning mode, please refer to its manual.

Step 3: Connected light will flash 4 times to indicate successful deleting.



6. Minimum and Startup brightness setting button

Set minimum brightness: Adjust brightness to a desired level, press and hold down the button for 3 sec. to set it as minimum brightness, the connected load will flash to confirm successful setting, then the dimming range is between this minimum brightness and 100%.

Delete minimum brightness: Adjust brightness to 100%, press and hold down the button for 3 sec. to delete the previously set minimum brightness, the connected load will flash to confirm successful deleting, then the dimming range is between 1% and 100%.

Set startup brightness: Adjust the brightness of connected load to a desired level between 1%-50%, then double click **Min. set** key to set the brightness adjusted as startup brightness, then the load will first go to startup brightness when turned on every time, then drop down to the brightness before last time turned off.

Delete startup brightness: Adjust the brightness of connected load to 0%, then double click **Min. set** key to delete the previously set startup brightness.

Note: Startup brightness setting function is to avoid the phenomenon that some dimmable LED drivers can not be turned on after dimmed to a low level and turned off. Once setting a startup brightness, if the startup brightness is higher than dimmed level before turned off, the driver will first go to the startup brightness after turned on then drop down to the dimmed level. If the startup brightness is lower than the dimmed level before turned off, the driver will directly go to the dimmed level after turned on.

7. Power metering

The intended load must be connected to the dimmer before connected to the Zigbee hub as the Box Dimmer G2 will calibrate the power metering each time it is connected to a hub. If the load is changed the Box Dimmer Zigbee G2 must be disconnected and reconnected to the network hub to recalibrate the power metering to the new load.

8. Controlled by a push switch

Once connected with a push switch, click the push switch to switch ON/OFF, press and hold down it to increase/decrease light intensity.

