



Safety Instructions

1,2,3,4,5,6,7,10,12,13,16,19,
20,22,24,28,33,34



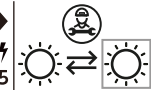
31.08.2021

01.09.2021



A++ - A

G



www.paulmann.com/symbols

Paulmann Licht GmbH
Quezinger Feld 2
31832 Springe
Germany



www.paulmann.com

Art.-Nr.: 934.14
934.13



(+MA326) PSPU 07/22

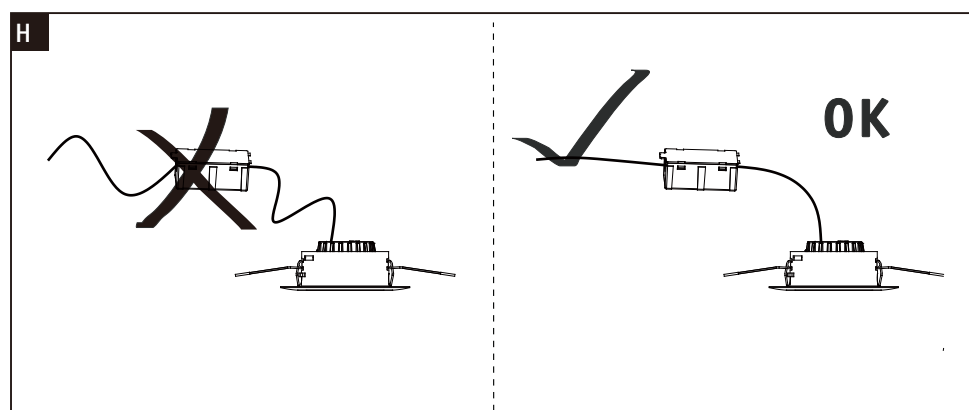
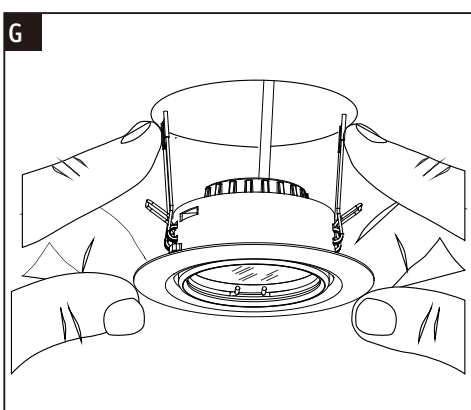
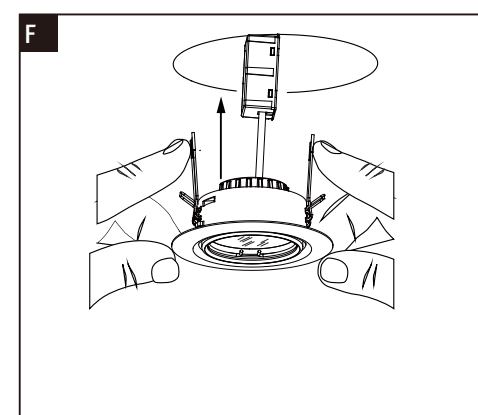
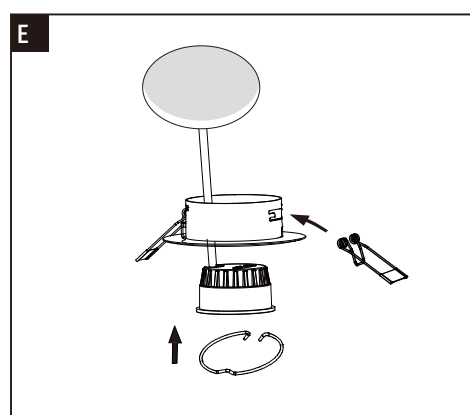
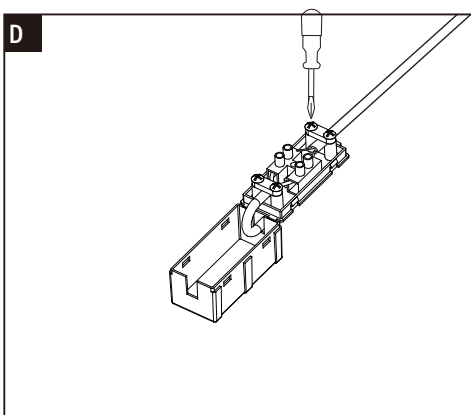
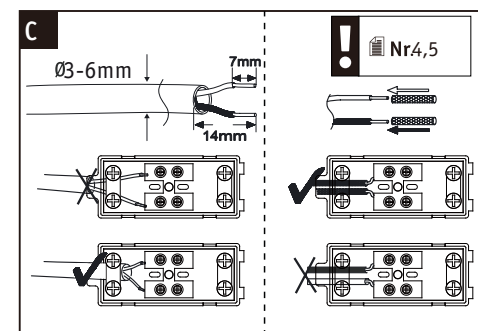
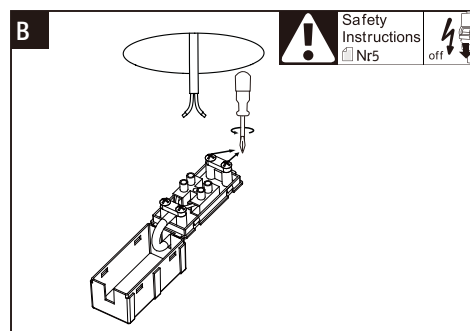
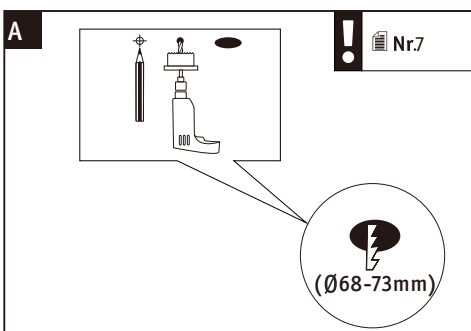
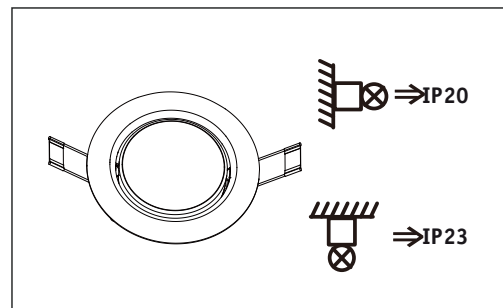
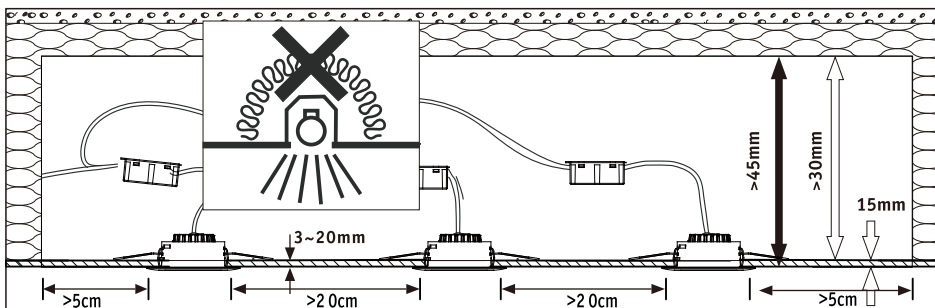
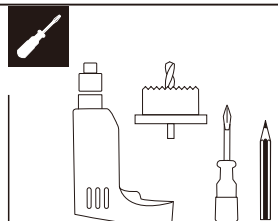
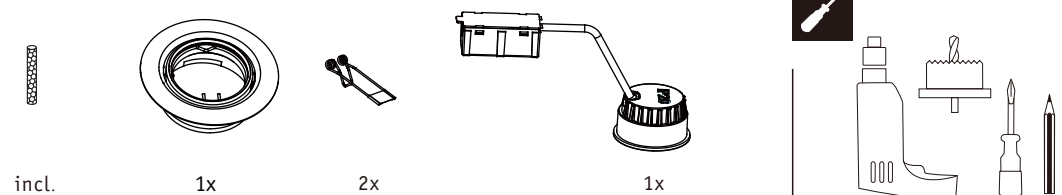


incl.

1x

2x

1x



370lm
5W
230V

▼ warm white
3000 K

CRI/Ra ≥ 80

ON OFF ≥50.000

Lumen 60% <2 s

≈ 15x
1.000h



390093076

