



Paulmann

Safety Instructions

1, 2, 3, 4, 5, 6, 7, 8, 12, 13, 16, 17, 18, 19, 20, 21, 28, 33, 34

31.08.2021 | 01.09.2021

ENERGY LABEL 874/2012 | ENERGY LABEL 2019/2015

A++ - A | F

www.paulmann.com/symbols

Paulmann Licht GmbH
Quezinger Feld 2
31832 Springe
Germany

www.paulmann.com

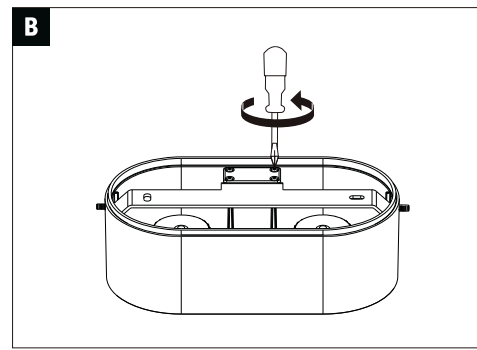
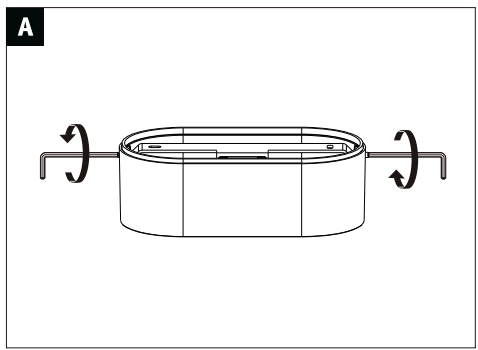
Art.-Nr.: 797.09

(+MA326) PSU 07/22

CE UK CA

1x

Incl.



C

Safety Instructions
Nr. 4, 5, 6, 7 off

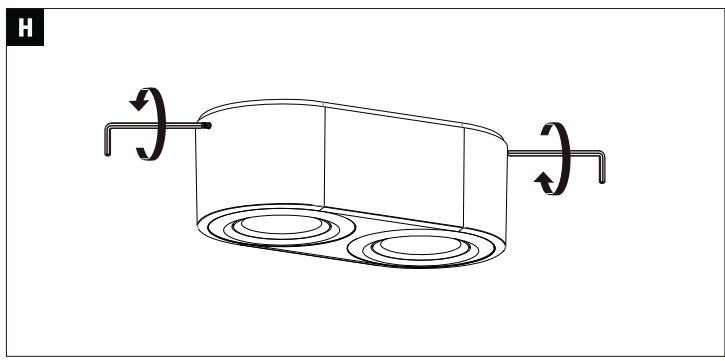
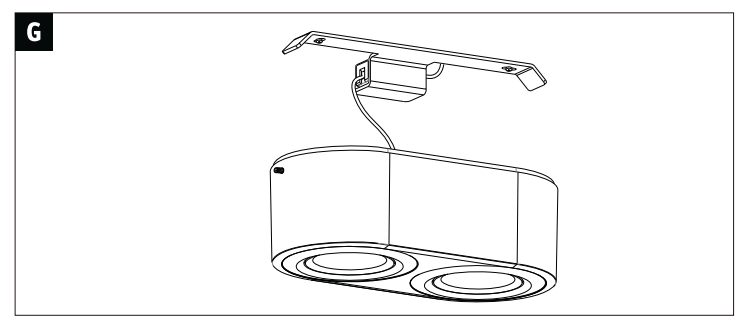
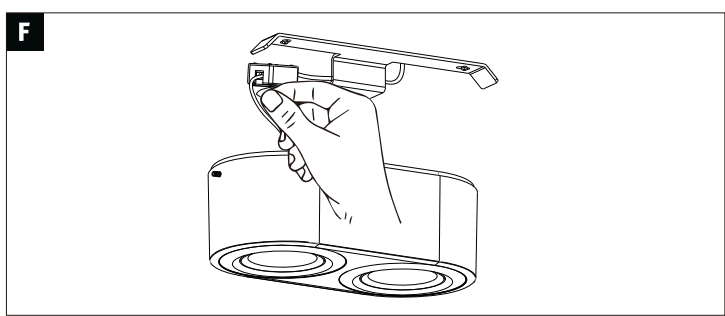
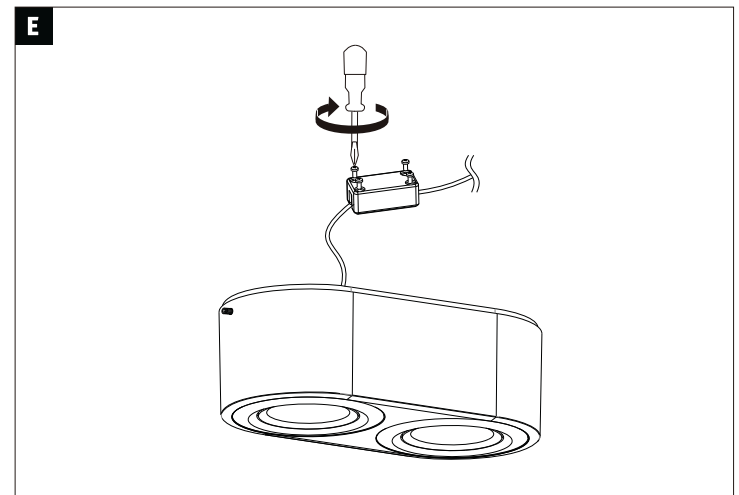
136mm

D

Nr. 3, 4, 5, 6

1

2



on

on - off - on
1s ≤ T ≤ 2s

